

10" TIRE CONFIGURATION

PROPRIETARY AND CONFIDENTIAL

THE INFORMATION CONTAINED IN THIS DRAWING IS THE SOLE PROPERTY OF SUPERDROID ROBOTS INC. ANY REPRODUCTION IN PART OR AS A WHOLE WITHOUT THE WRITTEN PERMISSION OF SUPERDROID ROBOTS INC IS PROHIBITED.

UNLESS OTHERWISE SPECIFIED:
 DIMENSIONS ARE IN INCHES
 ANGULAR: 0.5 deg
 TWO PLACE DECIMAL ±0.03
 THREE PLACE DECIMAL ±0.005

SUPERDROID ROBOTS INC

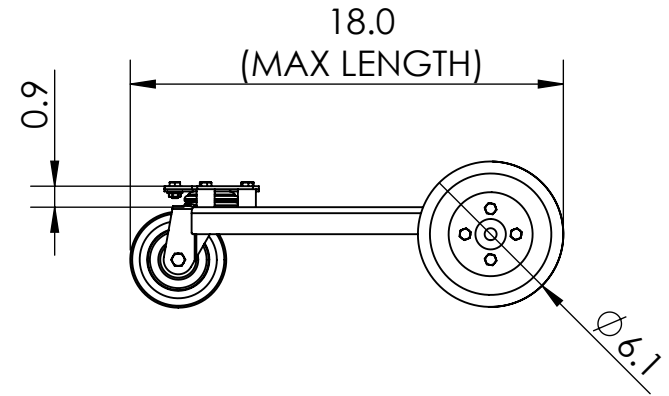
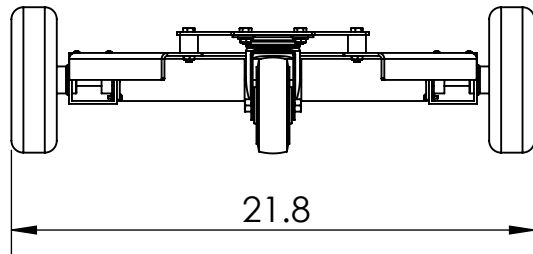
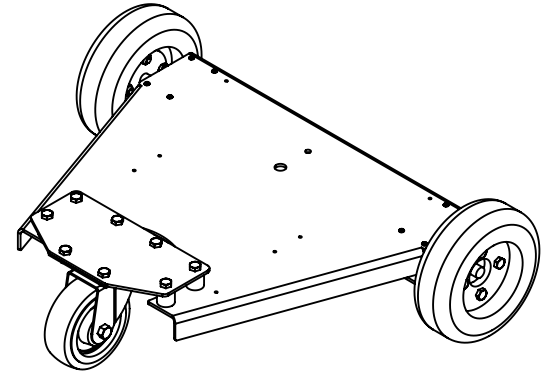
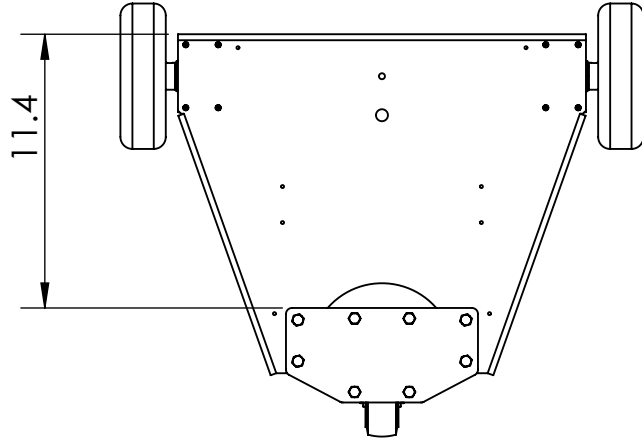
Ph: 919-557-9162
 Fax: 775-416-2595

SIZE DWG. NO.
A 2WD_tubing_chassis_assy

REV
 6/23/20

SCALE: 1:8 MATERIAL:

SHEET 1 OF 2



6" TIRE CONFIGURATION

PROPRIETARY AND CONFIDENTIAL

THE INFORMATION CONTAINED IN THIS DRAWING IS THE SOLE PROPERTY OF SUPERDROID ROBOTS INC. ANY REPRODUCTION IN PART OR AS A WHOLE WITHOUT THE WRITTEN PERMISSION OF SUPERDROID ROBOTS INC IS PROHIBITED.

UNLESS OTHERWISE SPECIFIED:
 DIMENSIONS ARE IN INCHES
 ANGULAR: 0.5 deg
 TWO PLACE DECIMAL ±0.03
 THREE PLACE DECIMAL ±0.005

SUPERDROID ROBOTS INC		Ph: 919-557-9162 Fax: 775-416-2595	
SCALE: 1:8	MATERIAL:	SHEET 2 OF 2	